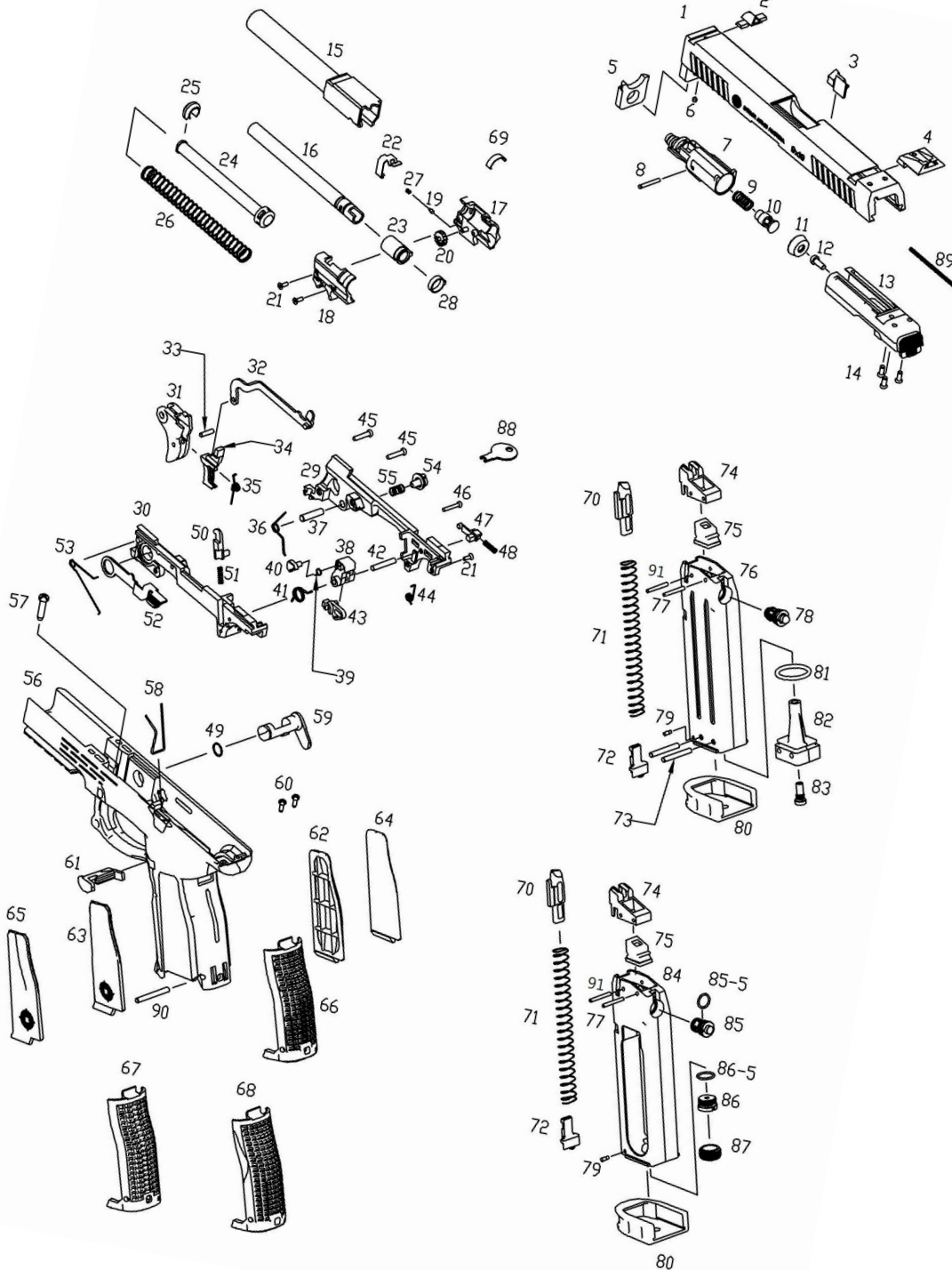


Steyr L9-A2

Item number: 19814



NO.	NAME	PRICE	NO.	NAME	PRICE
1	SLIDE		48	SEAR SPRING	
2	FRONT SIGHT		49	TAKE DOWN LATCH O-RING	
3	EXTRACTOR		50	VALVE LOCK	
4	REAR SIGHT		51	VALVE LOCK SPRING	
5	SLIDE BUFFER		52	SLIDE STOP	
6	FRONT SIGHT SCREW		53	SLIDE STOP SPRING	
7	CYLINDER		54	SAFETY	
8	CYLINDER PIN		55	SAFETY SPRING	
9	CYLINDER SPRING		56	LOWER FRAME	
10	CYLINDER VALVE		57	LOWER FRAME SCREW	
11	PISTON RING		58	MAG CATCH SPRING	
12	PISTON SCREW		59	TAKE DOWN LATCH	
13	PISTON		60	FRAME SCREW	
14	REAR SIGHT SCREW		61	MAG CATCH	
15	OUTTER BARREL		62	R-GRIP(S)	
16	INNER BARREL		63	L-GRIP(S)	
17	CHAMBER(R)		64	R-GRIP(M)	
18	CHAMBER(L)		65	L-GRIP(M)	
19	ADJUST DIAL DETENT		66	BACK STRAP(M)	
20	ADJUST DIAL		67	BACK STRAP(S)	
21	CHAMBER SCREW		68	BACK STRAP(L)	
22	ADJUST LEVER		69	CARTRIDGE SHELL	
23	RUBBER CHAMBER		70	FOLLOWER	
24	RECOIL GUIDE		71	FOLLOWER SPRING	
25	RECOIL GUIDE WASHER		72	MAG BOTTOM DEENT	
26	RECOIL SPRING		73	MAG BASE PIN	
27	ADJUST DIAL DETENT SPRING		74	BB LIP	
28	RUBBER CHAMBER RING		75	GASKET	
29	INNER FAME (R)		76	MAG BODY	
30	INNER FRAME (L)		77	BB LIP PIN	
31	TRIGGER		78	EX VALVE	
32	TRIGGER BAR		79	MAG BOTTOM DEENT PIN	
33	TRIGGER BAR PIN		80	MAG BOTTOM	
34	TRIGGER SAFETY		81	MAG BASE O-RING	
35	TRIGGER SAFETY SPRING		82	MAG BASE	
36	TRIGGER SPINGR		83	CHARGING VALVE	
37	TRIGGER PIN		84	CO2 MAG BODY	
38	HAMMER		85	CO2 EX-VALVE	
39	HAMMER CAM SPRING		85-5	EX-VALVE O-RING	
40	HAMMER CAM		86	STAB	
41	HAMMER SPRING		86-5	STAB O-RING	
42	HAMMER PIN		87	CARTRIDGE SCREW NUT	
43	KNOCKER		88	SAFETY KEY	
44	KNOCKER SPRING		89	CYLINDER RETURN SPRING	
45	INNER FRAME SCREW		90	GRIP PIN	
46	INNER FRAME SCREW		91	BB LIP PIN	
47	SEAR				